

Teilelisten & Explosionszeichnungen

Parts lists & Exploded drawings

Listes des pièces & Vue éclatée

BXT3-13

BXT3-16

BXT3-19

Diese Informationen wurde überreicht durch:



Wir bieten Lösungen!

Als zuverlässiger Verpackungslieferant können wir Ihnen ein breites Spektrum an Beratungsleistungen und Produkten anbieten. Wir setzen auf einen intensiven Austausch und ermitteln was für Ihr Unternehmen richtig und wichtig ist. Wir analysieren Ihre Packprozesse und erarbeiten mit Ihnen ein Optimierungskonzept.

...Sprechen Sie uns an!

Hans Klormann GmbH

Daimlerstr. 4 | 74909 Meckesheim | Tel. +49 (0) 6226 / 9 38 88-0
info@klormann.de | <https://www.klormann.de>



www.klormann.de



Unsere Visitenkarte



Inhaltsverzeichnis / Table of contents / Table des matières

| | | |
|----------|--|-----------|
| 1 | Explosionszeichnung / Exploded drawing / Vue éclatée BXT3-13 | 3 |
| 1.1 | Verschleissteile und empfohlene Ersatzteile / Wearing parts and recommended spare parts / Pièces d'usure et pièces de rechange BXT3-13 | 4 |
| 1.2 | Teilleiste / Parts list / Liste des pièces BXT3-13 | 5 |
| 2 | Explosionszeichnung / Exploded drawing / Vue éclatée BXT3-16 | 8 |
| 2.1 | Verschleissteile und empfohlene Ersatzteile / Wearing parts and recommended spare parts / Pièces d'usure et pièces de rechange BXT3-16 | 9 |
| 2.2 | Teilleiste / Parts list / Liste des pièces BXT3-16 | 10 |
| 3 | Explosionszeichnung / Exploded drawing / Vue éclatée BXT3-19 | 13 |
| 3.1 | Verschleissteile und empfohlene Ersatzteile / Wearing parts and recommended spare parts / Pièces d'usure et pièces de rechange BXT3-19 | 14 |
| 3.2 | Teilleiste / Parts list / Liste des pièces BXT3-19 | 15 |

Gültigkeit / Validity / Validité:

BXT3-13 from Series no A/21031001

BXT3-16 from Series no B/21031001

BXT3-19 from Series no C/21071001

Änderungen / Changes / Modifications:

| Version | Date | Visa | Description |
|---------|------------|-------|--|
| V 04.17 | 31.01.2017 | nm/hp | Drawing Update |
| V 06.17 | 14.06.2017 | nm/hp | Parts List/Drawing Update |
| V 09.17 | 13.09.2017 | co/hp | Parts List/Drawing Update |
| V 10.18 | 01.10.2018 | nm/hp | Parts List (renaming pos. 211) |
| V 02.19 | 01.02.2019 | co/hp | Extended spare parts kit (supplemented with two items) |
| V 02.20 | 24.02.2020 | co/hp | BXT3-13: New motor (pos. 95) and motor support cpl. (pos. 96) |
| V 02.21 | 04.02.2021 | hu/hp | Parts List/Drawing Update (pos.160 deleted) |
| V 07.21 | 20.07.2021 | hu/hp | BXT3-19: New needle bushing (pos. 48) (pos. 47 deleted) |
| V 10.21 | 28.09.2021 | hu/hp | Parts List/Drawing New protection frame (pos. 211) (without sealing frame) |

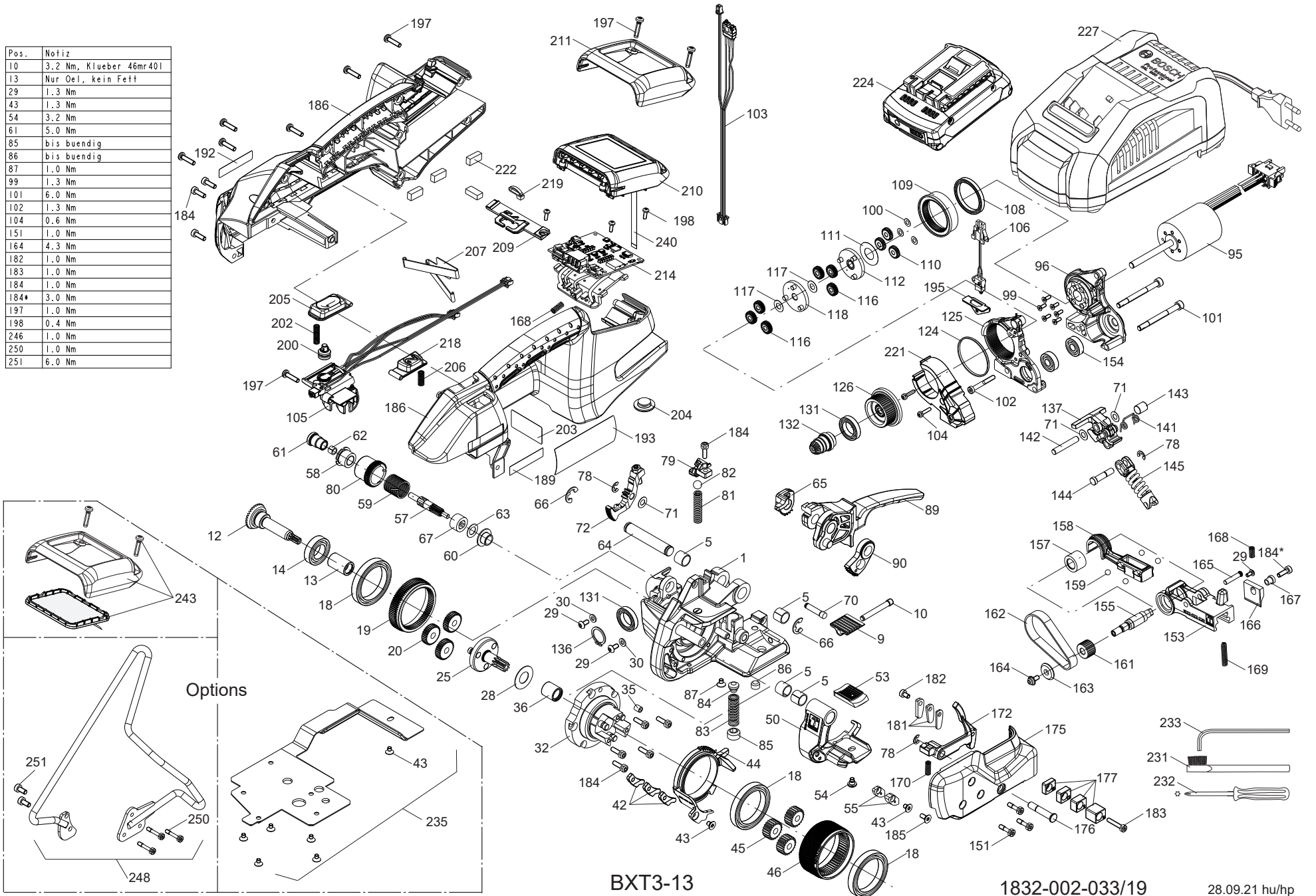


Für Sicherheitshinweise, Betriebsanleitung beachten!
For safety regulations, refer to operating instructions!
Pour les consignes de sécurité, reportez-vous au mode d'emploi!

Hersteller /Manufacturer / Fabricant

Signode Switzerland GmbH
Silbernstrasse 14, Postfach
8953 Dietikon 1,
SWITZERLAND
signode.com

| Pos. | Notiz |
|------|-------------------------|
| 10 | 3.2 Nm, Klueber 46mr401 |
| 13 | Nur Oel, kein Fett |
| 29 | 1.3 Nm |
| 43 | 1.3 Nm |
| 54 | 3.2 Nm |
| 61 | 5.0 Nm |
| 85 | bis buendig |
| 86 | bis buendig |
| 87 | 1.0 Nm |
| 99 | 1.3 Nm |
| 101 | 6.0 Nm |
| 102 | 1.3 Nm |
| 104 | 0.6 Nm |
| 151 | 1.0 Nm |
| 164 | 4.3 Nm |
| 182 | 1.0 Nm |
| 183 | 1.0 Nm |
| 184 | 1.0 Nm |
| 184* | 3.0 Nm |
| 197 | 1.0 Nm |
| 198 | 0.4 Nm |
| 246 | 1.0 Nm |
| 250 | 1.0 Nm |
| 251 | 6.0 Nm |



BXT3-13

1832-002-033/19

28.09.21 hu/hp

1.1 Verschleissteile und empfohlene Ersatzteile / Wearing parts and recommended spare parts / Pièces d'usure et pièces de rechange BXT3-13

1.1.1 Basis Ersatzteilset / Basic spare parts kit / Pièces de rechange de base

| BXT3-13 | | Bei Bestellungen immer Artikel-Nr. angeben | | When ordering please indicate part number | |
|---------|--------------|--|--|---|----------|
| Pos. | Artikel-Nr. | Benennung | | Part name | Stück |
| | Part no | | | | Quantity |
| 46 | 1821.047.034 | Spannrad | | Tension wheel | 1 |
| 53 | 1821.048.027 | Zahnplatte | | Tooth plate | 1 |
| 166 | 1821.209.037 | Messer | | Knife | 1 |
| 224 | 2187.011 | Akku 18 V/2.0 Ah Li-Ion EU | | Battery 18 V/2.0 Ah Li-Ion EU | 1 |
| 224 | 2187.012 | Akku 18V/2.0Ah Li-Ion US BAT 612 | | Battery 18V/2.0Ah Li-Ion US BAT 612 | 1 |

1.1.2 Erweiterter Ersatzteilset / Extended spare parts kit / Pièces de rechange élargissement

| BXT3-13 | | Bei Bestellungen immer Artikel-Nr. angeben | | When ordering please indicate part number | |
|---------|--------------|--|-------------|---|----------|
| Pos. | Artikel-Nr. | Benennung | | Part name | Stück |
| | Part no | | | | Quantity |
| 12 | 1821.061.034 | Kegelrad mit Ritzel | 15/32 | Bevel wheel with pinion | 1 |
| 81 | 1821.010.144 | Druckfeder | | Compression spring | 1 |
| 83 | 1821.010.143 | Druckfeder | | Compression spring | 1 |
| 103 | 1821.151.050 | Kabelstrang Wippenhebel | | Cable harness rocker lever | 1 |
| 105 | 1821.151.052 | Kabelstrang Schale | | Cable harness housing | 1 |
| 106 | 1821.151.054 | Kabelstrang Schweissmechanik | | Cable harness welding unit | 1 |
| 126 | 1832.033.018 | Riemenrad montiert | | Belt pulley mounted | 1 |
| 132 | 1821.061.037 | Kegelritzel kpl. | | Bevel pinion cpl. | 1 |
| 157 | 1933.210.120 | Nadellager | Ø10/17x12 | Needle bearing | 1 |
| 162 | 1821.067.011 | Zahnriemen | 158.2MGT-9 | Toothed belt | 1 |
| 168 | 1821.010.141 | Druckfeder | Ø4.2x0.8x11 | Compression spring | 2 |
| 240 | 1821.163.233 | Flachbandkabel | | FCC-cable | 1 |

1.1.3 Premium Ersatzteilset / Premium spare parts kit / Pièces de rechange prime

| BXT3-13 | | Bei Bestellungen immer Artikel-Nr. angeben | | When ordering please indicate part number | |
|---------|--------------|--|--|---|----------|
| Pos. | Artikel-Nr. | Benennung | | Part name | Stück |
| | Part no | | | | Quantity |
| 95 | 1821.140.113 | Motor | | Motor | 1 |
| 186 | 1832.011.375 | Gehäuseschalen Set | | Housing parts set | 1 |
| 210 | 1832.011.317 | LCD Bedieneinheit EU/US | | LCD Operating unit EU/US | 1 |
| 214 | 1821.152.110 | Steuerprint verlötet | | Printed circuit board soldered | 1 |

1.2 Teileliste / Parts list / Liste des pièces BXT3-13 (1832.002.033/19)

| BXT3-13 | | Bei Bestellungen immer Artikel-Nr. angeben | | When ordering please indicate part number | |
|---------|------------------------|--|---------------------------------|---|--|
| Pos. | Artikel-Nr. Part no | Benennung | Part name | Stück Quantity | |
| 1 | 1832.011.284 | Grundplatte kpl. inkl. 29,30 | Base plate complete incl. 29,30 | 1 | |
| 2 | | | | | |
| 3 | | | | | |
| 4 | | | | | |
| 5 | 1935.510.100 | Radial-Gleitlager Ø10/12x10 | Slide bearing | 4 | |
| 6 | | | | | |
| 7 | | | | | |
| 8 | | | | 1 | |
| 9 | 1832.022.109 | Zahnplatte unten | Tooth plate | 1 | |
| 10 | 1832.022.055 | Gewindestift | Set screw | 1 | |
| 11 | | | | | |
| 12 | 1821.061.034 | Kegelrad mit Ritzel 15/32 | Bevel wheel with pinion | 1 | |
| 13 | 1926.502.100 | Hülsenfreilauf Ø10/14x22 | Drawn cup roller clutch | 1 | |
| 14 | 1930.190.154 | Radial-Rillenkugellager Ø15/28x7 | Ball bearing | 1 | |
| 15 | | | | | |
| 16 | | | | | |
| 17 | | | | | |
| 18 | 1930.180.356 | Radial-Rillenkugellager Ø35/47x7 | Ball bearing | 3 | |
| 19 | 1832.039.211 | Zahnkranz | Gear ring | 1 | |
| 20 | 1821.060.016 | Planetenrad | Planet gear | 3 | |
| 21 | | | | | |
| 22 | | | | | |
| 23 | | | | | |
| 24 | | | | | |
| 25 | 1832.039.165 | Planetenträger kpl. | Planet carrier cpl. | 1 | |
| 26 | | | | | |
| 27 | | | | | |
| 28 | 1917.401.125 | Distanzscheibe Ø12/24x0.5 | Spacer disc | 1 | |
| 29 | 1912.804.084 | Linsenschraube M4x8 | Pan head screw | 3 | |
| 30 | 1917.411.048 | Passscheibe Ø4/8x1 | Shim ring | 2 | |
| 31 | | | | | |
| 32 | 1832.039.287 | Flansch kpl. | Flange cpl. | 1 | |
| 33 | | | | | |
| 34 | | | | | |
| 35 | 1935.504.060 | Radial-Gleitlager Ø4/5.5x6 | Slide bearing | 1 | |
| 36 | 1933.710.150 | Nadelhülse Ø10/14x15 | Needle bushing | 1 | |
| 37 | | | | | |
| 38 | | | | | |
| 39 | | | | | |
| 40 | | | | | |
| 41 | | | | | |
| 42 | 1832.031.051 | Bandführung vorne 13mm | Strap guide front 13mm | 1 | |
| 42 | 1832.031.046 | Bandführung vorne 9mm | Strap guide front 9mm | 2 | |
| 42 | 1832.031.095 | Bandführung vorne 6mm | Strap guide front 6mm | (1) | |
| 43 | 1912.204.064 | Senkschraube Torx M4x6 | Counter sunk screw Torx | 3 | |
| 44 | 1832.039.280 | Nockenscheibe | Cam disk | 1 | |
| 45 | 1821.060.014 | Planetenrad | Planet gear | 3 | |

| BXT3-13 | | Bei Bestellungen immer Artikel-Nr. angeben | | When ordering please indicate part number | |
|---------|------------------------|--|-------------------------|---|--|
| Pos. | Artikel-Nr. Part no | Benennung | Part name | Stück Quantity | |
| 46 | 1821.047.034 | Spannrad | Tension wheel | 1 | |
| 47 | | | | | |
| 48 | | | | | |
| 49 | | | | | |
| 50 | 1832.031.109 | Wippe kpl. 13mm | Rocker cpl. 13mm | 1 | |
| 50 | 1832.031.120 | Wippe kpl. 16mm | Rocker cpl. 16mm | 1 | |
| 51 | | | | | |
| 52 | | | | | |
| 53 | 1821.048.027 | Zahnplatte | Tooth plate | 1 | |
| 54 | 1832.039.285 | Flachkopfschraube | Pan head screw | 1 | |
| 55 | 1832.031.122 | Bandführung vorne 6mm | Strap guide front 6mm | (1) | |
| 55 | 1832.031.121 | Bandführung vorne 9mm | Strap guide front 9mm | 1 | |
| 56 | | | | 1 | |
| 57 | 1832.039.263 | Kupplungswelle | Clutch shaft | 1 | |
| 58 | 1832.039.266 | Gewindebüchse | Threaded bushing | 1 | |
| 59 | 1821.012.037 | Schlingfeder | Wrap spring | 1 | |
| 60 | 1821.020.192 | Bundbüchse | Flanged bushing | 1 | |
| 61 | 1832.039.267 | Lagerbolzen | Bearing bolt | 1 | |
| 62 | 1935.505.050 | Radial-Gleitlager Ø5/7x5 | Slide bearing | 2 | |
| 63 | 1917.411.083 | Passscheibe Ø8/14x0.3 | Shim ring | 1 | |
| 64 | 1832.039.262 | Bolzen | Bolt | 1 | |
| 65 | 1832.031.108 | Sperrhebel | Blocking lever | 1 | |
| 66 | 1920.108.102 | Sicherungsscheibe Ø8 | Retaining ring | 2 | |
| 67 | 1832.039.265 | Sperrrolle | Blocking roller | 1 | |
| 68 | | | | | |
| 69 | | | | 1 | |
| 70 | 1832.022.186 | Bolzen | Bolt | 4 | |
| 71 | 1917.411.052 | Passscheibe Ø5/10x0.2 | Shim ring | 1 | |
| 72 | 1832.031.124 | Resetierhebel kpl. | Reset lever cpl. | 1 | |
| 73 | | | | | |
| 74 | | | | | |
| 75 | | | | | |
| 76 | | | | | |
| 77 | | | | | |
| 78 | 1920.104.072 | Sicherungsscheibe Ø4 | Retaining ring | 3 | |
| 79 | 1832.031.115 | Support | Support | 1 | |
| 80 | 1832.022.272 | Hülse | Sleeve | 1 | |
| 81 | 1821.010.144 | Druckfeder | Compression spring | 1 | |
| 82 | 1925.010.802 | Kugel Ø8 | Ball | 1 | |
| 83 | 1821.010.143 | Druckfeder | Compression spring | 1 | |
| 84 | 1821.033.031 | Druckstück | Pusher | 1 | |
| 85 | 1910.412.084 | Gewindestift M12x8 | Set screw | 1 | |
| 86 | 1910.408.064 | Gewindestift M8x6 | Set screw | 1 | |
| 87 | 1912.204.054 | Senkschraube Torx M4x5 | Counter sunk screw Torx | 1 | |
| 88 | | | | | |
| 89 | 1832.031.105 | Wippenhebel kpl. | Rocker lever cpl. | 1 | |
| 90 | 1832.039.288 | Zahnsegment | Toothed segment | 1 | |

| BXT3-13 | | Bei Bestellungen immer Artikel-Nr. angeben | | When ordering please indicate part number | |
|---------|------------------------|--|----------------------------|---|--|
| Pos. | Artikel-Nr. Part no | Benennung | Part name | Stück Quantity | |
| 91 | | | | | |
| 92 | | | | | |
| 93 | | | | | |
| 94 | | | | | |
| 95 | 1821.140.113 | Motor | Motor | 1 | |
| 96 | 1832.022.269 | Motorträger kpl. | Motor support cpl. | 1 | |
| 97 | | | | | |
| 98 | | | | | |
| 99 | 1912.203.086 | Senkschraube | M3x8 Counter sunk screw | 6 | |
| 100 | 1917.411.041 | Passscheibe | Ø4/8x0.1 Shim ring | 3 | |
| 101 | 1821.027.037 | Zentrierschraube | M5 Shoulder screw | 2 | |
| 102 | 1913.204.304 | Zylinderschraube | M4x30 Cylinder head screw | 1 | |
| 103 | 1821.151.050 | Kabelstrang Wippenhebel | Cable harness rocker lever | 1 | |
| 104 | 1911.003.104 | Zylinderschraube | M3x10 Cylinder head screw | 2 | |
| 105 | 1821.151.052 | Kabelstrang Schale | Cable harness housing | 1 | |
| 106 | 1821.151.054 | Kabelstrang Schweissmechanik | Cable harness welding unit | 1 | |
| 107 | | | | | |
| 108 | 1930.170.302 | Radial-Rillenkugellager | Ø30/37x4 Ball bearing | 1 | |
| 109 | 1832.022.247 | Exzenterocke | Excentric cam | 1 | |
| 110 | 1821.060.023 | Planetenrad | Planet gear | 3 | |
| 111 | 1917.401.122 | Distanzscheibe | Ø12/24x0.2 Spacer disc | 1 | |
| 112 | 1832.039.203 | Planetenträger kpl. | Planet carrier cpl. | 1 | |
| 113 | | | | | |
| 114 | | | | | |
| 115 | | | | | |
| 116 | 1821.060.024 | Planetenrad | Planet gear | 6 | |
| 117 | 1917.411.062 | Passscheibe | Ø6/12x0.2 Shim ring | 2 | |
| 118 | 1832.039.201 | Planetenträger kpl. | Planet carrier cpl. | 1 | |
| 119 | | | | | |
| 120 | | | | | |
| 121 | | | | | |
| 122 | | | | | |
| 123 | | | | | |
| 124 | 1821.020.151 | Ring | Ring | 1 | |
| 125 | 1832.022.248 | Deckel Motorträger | Bearing support | 1 | |
| 126 | 1832.033.018 | Riemenrad montiert | Belt pulley mounted | 1 | |
| 127 | | | | | |
| 128 | | | | | |
| 129 | | | | | |
| 130 | | | | | |
| 131 | 1930.180.152 | Radial-Rillenkugellager | Ø15/24x5 Ball bearing | 2 | |
| 132 | 1821.061.037 | Kegelritzel kpl. | Bevel pinion cpl. | 1 | |
| 133 | | | | | |
| 134 | | | | | |
| 135 | | | | | |
| 136 | 1920.215.102 | Aussen-Sicherungsring | Ø15 Retaining ring | 1 | |
| 137 | 1832.022.249 | Umschalthebel kpl. | Shift lever cpl. | 1 | |
| 138 | | | | | |
| 139 | | | | | |

| BXT3-13 | | Bei Bestellungen immer Artikel-Nr. angeben | | When ordering please indicate part number | |
|---------|------------------------|--|--------------------------------|---|--|
| Pos. | Artikel-Nr. Part no | Benennung | Part name | Stück Quantity | |
| 140 | | | | | |
| 141 | 1821.012.038 | Schenkelfeder | Yoke spring | 1 | |
| 142 | 1821.031.060 | Bolzen | Bolt | 1 | |
| 143 | 1832.022.163 | Bolzen | Bolt | 1 | |
| 144 | 1821.035.011 | Bolzen | Bolt | 1 | |
| 145 | 1832.022.254 | Feder montiert | Spring assembly | 1 | |
| 146 | | | | | |
| 147 | | | | | |
| 148 | | | | | |
| 149 | | | | | |
| 150 | | | | | |
| 151 | 1821.027.063 | Zylinderkopfschraube Torx | M4 Cylinder head screw Torx | 3 | |
| 152 | | | | | |
| 153 | 1832.022.233 | Schwenklager | Swivel bearing | 1 | |
| 154 | 1930.100.072 | Radial-Rillenkugellager | Ø7/19x6 Ball bearing | 2 | |
| 155 | 1832.022.240 | Exzenterwelle | Eccentric shaft | 1 | |
| 156 | | | | | |
| 157 | 1933.210.120 | Nadellager | Ø10/17x12 Needle bearing | 1 | |
| 158 | 1832.022.257 | Schweissschuh | Welding shoe | 1 | |
| 159 | 1925.010.502 | Kugel | Ø5 Ball | 4 | |
| 160 | | | | | |
| 161 | 1832.022.139 | Ritzel | Pinion | 1 | |
| 162 | 1821.067.011 | Zahnriemen | 158.2MGT-9 Toothed belt | 1 | |
| 163 | 1821.020.147 | Scheibe | Washer | 1 | |
| 164 | 1911.304.084 | Zylinderschraube m. Flansch | M4x8 Cylinder head screw | 1 | |
| 165 | 1832.022.273 | Bolzen | Bolt | 1 | |
| 166 | 1821.209.037 | Messer | Knife | 1 | |
| 167 | 1832.022.238 | Bundbüchse | Flanged bushing | 1 | |
| 168 | 1821.010.141 | Druckfeder | Ø4.2x0.8x11 Compression spring | 2 | |
| 169 | 1821.010.020 | Druckfeder | Ø4.1x0.8x24 Compression spring | 1 | |
| 170 | 1821.010.142 | Druckfeder | Compression spring | 1 | |
| 171 | | | | | |
| 172 | 1832.042.065 | Hebel Bandführung kpl. | Lever strap guide cpl. | 1 | |
| 173 | | | | | |
| 174 | | | | | |
| 175 | 1832.011.346 | Seitendeckel | Grivory Side cover | 1 | |
| 176 | 1821.035.007 | Lagerbolzen | Bearing bolt | 1 | |
| 177 | 1832.041.023 | Bandführung hinten 6mm | Strap guide rear 6mm | (1) | |
| 177 | 1832.041.020 | Bandführung hinten 9mm | Strap guide rear 9mm | 1 | |
| 177 | 1832.041.019 | Bandführung hinten 13mm | Strap guide rear 13mm | 1 | |
| 177 | 1832.041.018 | Bandführung hinten 16mm | Strap guide rear 16mm | (1) | |
| 178 | | | | | |
| 179 | | | | | |
| 180 | | | | | |
| 181 | 1832.042.063 | Bandführung hinten 6mm | Strap guide rear 6mm | (1) | |
| 181 | 1832.042.047 | Bandführung hinten 9mm | Strap guide rear 9mm | 1 | |
| 181 | 1832.042.043 | Bandführung hinten 13mm | Strap guide rear 13mm | 1 | |
| 182 | 1913.904.064 | Zylinderschraube Torx | M4x6 Cylinder head screw Torx | 1 | |
| 183 | 1913.904.204 | Zylinderschraube Torx | M4x20 Cylinder head screw Torx | 1 | |

| BXT3-13 | | Bei Bestellungen immer Artikel-Nr. angeben | | When ordering please indicate part number | |
|---------|------------------------|--|-----------|---|----|
| Pos. | Artikel-Nr. Part no | Benennung | Part name | Stück Quantity | |
| 184 | 1913.904.125 | Zylinderschraube Torx | M4x12 | Cylinder head screw Torx | 10 |
| 185 | 1912.204.108 | Senkschraube (9mm) | M4x10 | Counter sunk screw Torx (9mm) | 1 |
| 186 | 1832.011.375 | Gehäuseschalen Set | | Housing parts set | 1 |
| 187 | | | | | |
| 188 | | | | | |
| 189 | 1821.091.087 | Typenschild | | Type plate | 1 |
| 190 | | | | | |
| 191 | | | | | |
| 192 | 1821.090.025 | Firmenschild | | Name plate | 1 |
| 193 | 1821.092.010 | Warnschild | | Warning label | 1 |
| 194 | | | | | |
| 195 | 1821.163.235 | Montagewinkel Stecker | | Mounting support connector | 1 |
| 196 | | | | | |
| 197 | 1914.840.162 | PT-Schraube Torx | KA 40x16 | Pan head PT-screw Torx | 12 |
| 198 | 1914.830.088 | PT-Schraube Torx | KA 30x8 | Pan head PT-screw Torx | 3 |
| 200 | 1832.011.329 | Aktuator | | Actuator | 1 |
| 201 | | | | | |
| 202 | 1821.010.149 | Druckfeder | | Compression spring | 1 |
| 203 | 1821.091.137 | Gebotsschild | | Mandatory sign | 1 |
| 204 | 1832.011.181 | Schutzscheibe | | Protection disk | 1 |
| 205 | 1832.011.328 | Spanntaste | | Tension button | 1 |
| 206 | 1821.010.054 | Druckfeder | Ø5x0.6x14 | Compression spring | 1 |
| 207 | 1821.013.006 | Blattfeder | | Leaf spring | 1 |
| 208 | | | | | |
| 209 | 1832.011.319 | Kontaktplatte Niederhalter | | Contact plate clamp | 1 |
| 210 | 1832.011.317 | LCD Bedieneinh. EU/US, inkl. 240 | | LCD Operating unit EU/US, incl. 240 | 1 |
| 210 | 1832.011.357 | LCD Bedieneinh. CN, inkl. 240 | | LCD Operating unit CN, incl. 240 | 1 |
| 211 | 1832.011.465 | Schutzahmen | | Protection frame | 1 |
| 212 | | | | | |
| 213 | | | | | |
| 214 | 1821.152.110 | Steuerprint verlötet | | Printed circuit board soldered | 1 |
| 215 | | | | | |
| 216 | | | | | |
| 217 | | | | | |
| 218 | 1832.011.322 | Schweisstaste | | Welding button | 1 |
| 219 | | | | | |
| 220 | | | | | |
| 221 | 1832.022.259 | Riemenabdeckung | | Belt cover | 1 |
| 222 | 1821.151.056 | Kabelklemme | | Cable clamp | 4 |
| 223 | | | | | |
| 224 | 2187.011 | Akku 18V/2.0Ah Li-Ion EU | | Battery 18V/2.0Ah Li-Ion EU | 1 |
| 224 | 2187.012 | Akku 18V/2.0Ah Li-Ion US BAT 612 | | Battery 18V/2.0Ah Li-Ion US BAT 612 | 1 |
| 225 | | | | | |
| 226 | | | | | |
| 227 | 2188.020 | Ladegerät AL 1880 CV EU | | Battery charger AL 1880 CV EU | 1 |
| 227 | 2188.021 | Ladegerät BC 1880 CV US | | Battery charger BC 1880 CV US | 1 |
| 227 | 2188.022 | Ladegerät AL 1880 CV JP | | Battery charger AL 1880 CV JP | 1 |
| 227 | 2188.023 | Ladegerät AL 1880 CV AUS | | Battery charger AL 1880 CV AUS | 1 |
| 228 | | | | | |

| BXT3-13 | | Bei Bestellungen immer Artikel-Nr. angeben | | When ordering please indicate part number | |
|---------|------------------------|--|----------------|---|---|
| Pos. | Artikel-Nr. Part no | Benennung | Part name | Stück Quantity | |
| 229 | | | | | |
| 230 | | | | | |
| 231 | 1821.901.004 | Stahldraht-Bürste | Zeitra / 21242 | Wire brush | 1 |
| 232 | 1990.102.020 | Schraubenzieher Torx T20 | | Screwdriver Torx T20 | 1 |
| 233 | 1821.901.007 | 6-Kt Winkelschlüssel | | Offset screwdriver | 1 |
| 234 | | | | | |
| 235 | 2189.010 | Schutzplatte Set | | Protection plate set | |
| 236 | | | | | |
| 237 | | | | | |
| 43 | 1912.204.064 | Senkschraube Torx | M4x6 | Counter sunk screw Torx | 6 |
| 238 | | | | | |
| 239 | | | | | |
| 240 | 1821.163.233 | Flachbandkabel | | FCC-cable | 1 |
| 241 | | | | | |
| 242 | | | | | |
| 243 | 2189.011 | Schutzabdeckung Set | | Protection cover set | |
| 244 | | | | | |
| 245 | | | | | |
| 246 | | | | | |
| 247 | | | | | |
| 248 | 2189.012 | Aufhängebügel Set | | Suspension bow set | |
| 249 | | | | | |
| 250 | 1821.027.064 | Zylinderkopfschraube Torx | M4 | Cylinder head screw Torx | 3 |
| 251 | 1913.905.103 | Zylinderschraube Torx | M5x10 | Cylinder head screw Torx | 2 |
| 252 | 1821.901.011 | Torxschlüssel X25 | | Screwdriver Torx X25 | 1 |